

Motion detector

IS 180-2

white
EAN 4007841 603212
Article number 603212



infrared sensor
180°



max. 12 m

1000 W

1000 W max.



IP54



2 - 2000 lux



5 sec - 15 min



Ideal 2 m



energy saving

3 years

manufacturer's
warranty steinel.de/
garantie



CE

Function description

Homeowner's darling. Infrared wall sensor IS 180-2, for indoors and out, ideal for expansive building fronts and driveways, corner wall bracket for corner mounting available as accessory, 180° angle of coverage, reach can be set up to 12 m or up to 5 m, selectable time and twilight threshold, detection zone can be customised with shrouds.

Technical specifications

Dimensions (L x W x H)	56 x 76 x 120 mm	LED lamps > 2 W < 8 W	175 W
Manufacturer's Warranty	3 years	LED lamps > 8 W	350 W
Settings via	Potentiometers	Capacitive load in µF	132 µF
With remote control	No	Technology, sensors	passive infrared, Light sensor
Version	white	Mounting height	1,80 – 4,00 m
PU1, EAN	4007841603212	Mounting height max.	4,00 m
Type	Motion detectors	Optimum mounting height	2 m
Application, place	Indoors, Outdoors	Detection angle	180 °
Application, room	outdoors, front door, all round the building, terrace / balcony, courtyard & driveway	Angle of aperture	90 °
Colour	white	Sneak-by guard	Yes
Colour, RAL	9010	Capability of masking out individual segments	Yes
Includes corner wall mount	No	Electronic scalability	No
Installation site	wall, corner	Mechanical scalability	No
Installation	Surface wiring, Wall, corner	Reach, radial	r = 1.5 m (4 m ²) / r = 3 m (14 m ²)
IP-rating	IP54	Reach, tangential	r = 5 m (39 m ²) / r = 12 m (226 m ²)
Protection class	II	Switching zones	504 switching zones

<https://www.steinel.de>

Subject to technical modifications

05.2025 Page 1 from 3

Motion detector

IS 180-2

white
EAN 4007841 603212
Article number 603212



Technical specifications

Ambient temperature	from -20 up to 50 °C
Material	Plastic
Mains power supply	230 V / 50 Hz
Switching output 1, resistive	1000 W
Fluorescent lamps, electronic ballast	350 W
Fluorescent lamps, uncorrected	500 VA
Fluorescent lamps, series-corrected	900 VA
Fluorescent lamps, parallel-corrected	500 VA
Switching output 1, low-voltage halogen lamps	1000 VA
LED lamps < 2 W	100 W

Twilight setting	2 – 2000 lx
Time setting	5 s – 15 Min.
Basic light level function	No
Main light adjustable	No
Twilight setting TEACH	No
Constant-lighting control	No
Interconnection	Yes
Type of interconnection	Master/master
Interconnection via	Cable
Product category	Motion detector

Accessories

EAN 4007841 085148

Corner wall mount for IS 180-2, IS 2180-2 and IS 2180 ECO

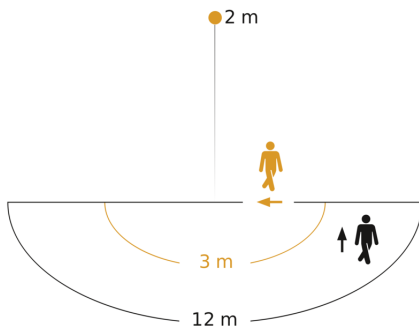
Motion detector

IS 180-2

white
EAN 4007841 603212
Article number 603212

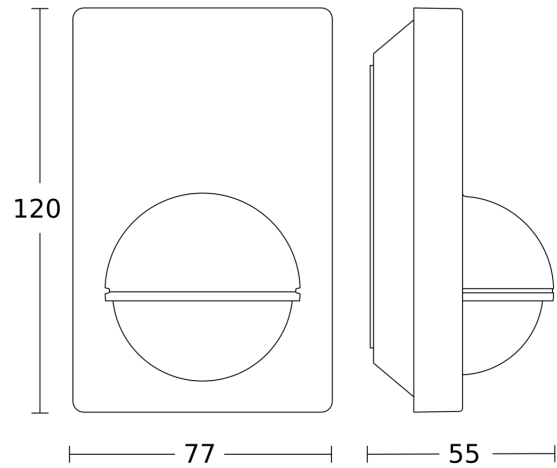


Detection Zone

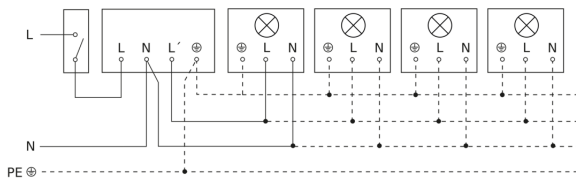


Possible mounting height: 1,80 m - 4,00 m
Orange: radial
Black: tangential

Dimension Drawing



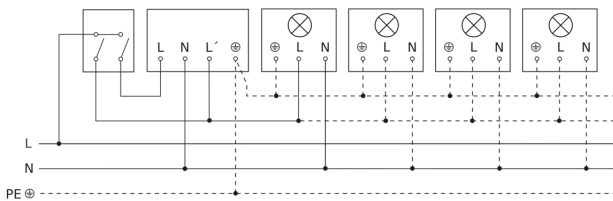
Light without neutral conductor



Light with neutral conductor



Connection using two-circuit switch for manual and automatic operation



Circuit diagram Connection via a changeover switch for continuous and automatic operation

